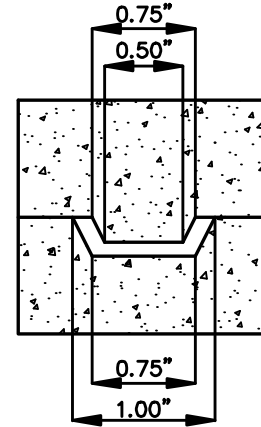
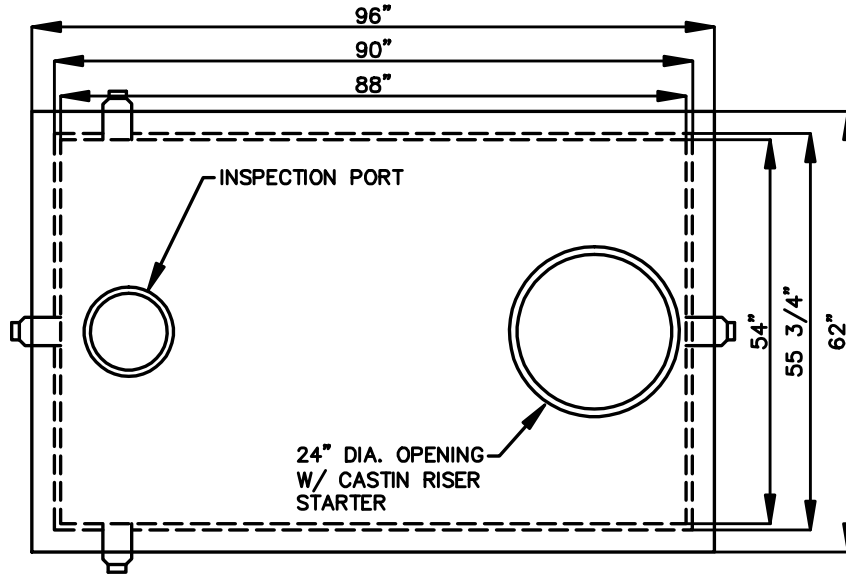


1000 GALLON SEPTIC TANK

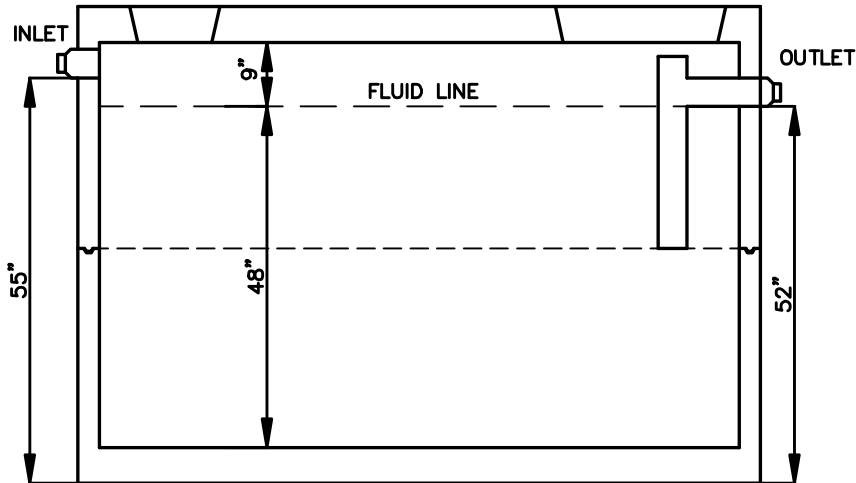
NOT TO SCALE



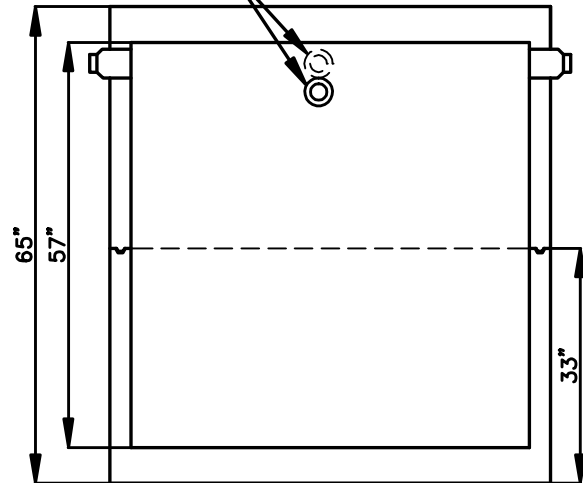
JOINT DETAIL

NOT TO SCALE

4" RUBBER BOOT
1 REQD. - OUTLET
3 REQD. - INLET



$$(90 \times 55.75) / 144 \times 7.48 \times 0.083 = 21.63 \text{ GAL/INCH}$$



MILAN VAULT, INC

10475 N. ANN ARBOR ROAD
MILAN, MICHIGAN, 48160
(734) 439-1538
(734) 439-8311 (FAX)
WWW.MILANVAULT.COM