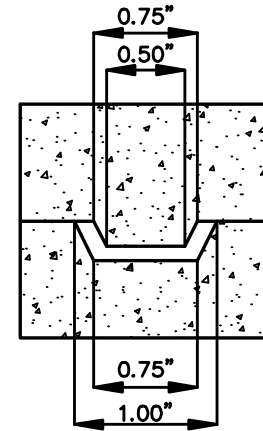
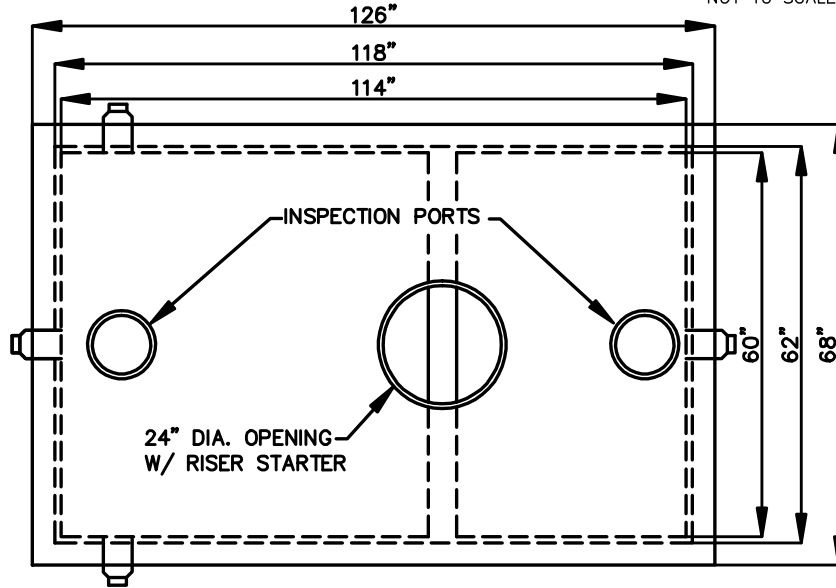


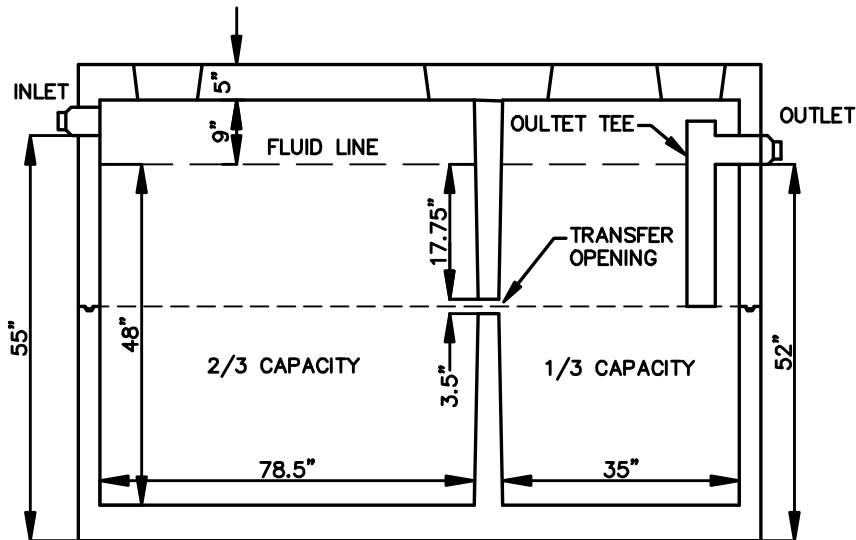
1500 GALLON. TWO COMPARTMENT SEPTIC TANK

NOT TO SCALE



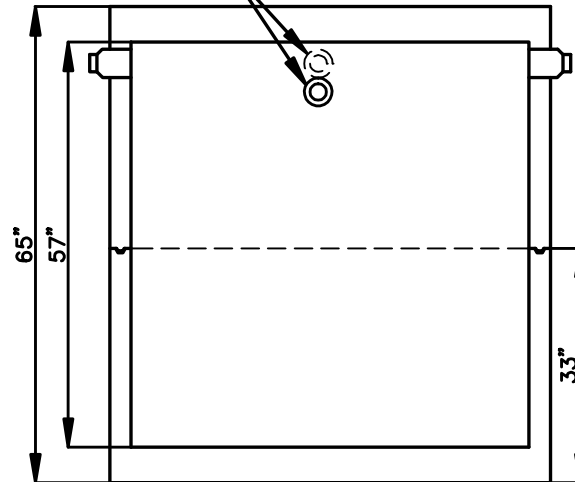
JOINT DETAIL

NOT TO SCALE



$$(116 \times 61) / 144 \times 7.48 \times 0.083 = 30.50 \text{ GAL/INCH}$$

- 4" RUBBER BOOT
- 1 REQD. - OUTLET
- 3 REQD. - INLET



MILAN VAULT, INC

10475 N. ANN ARBOR ROAD
 MILAN, MICHIGAN, 48160
 (734) 439-1538
 (734) 439-8311 (FAX)
 WWW.MILANVAULT.COM