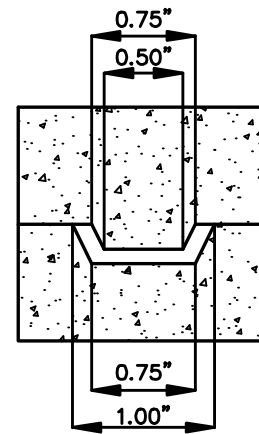
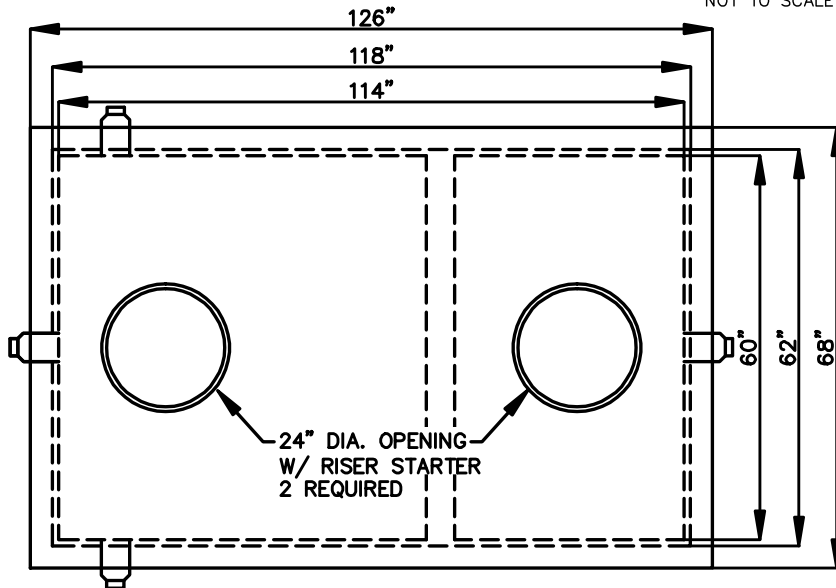
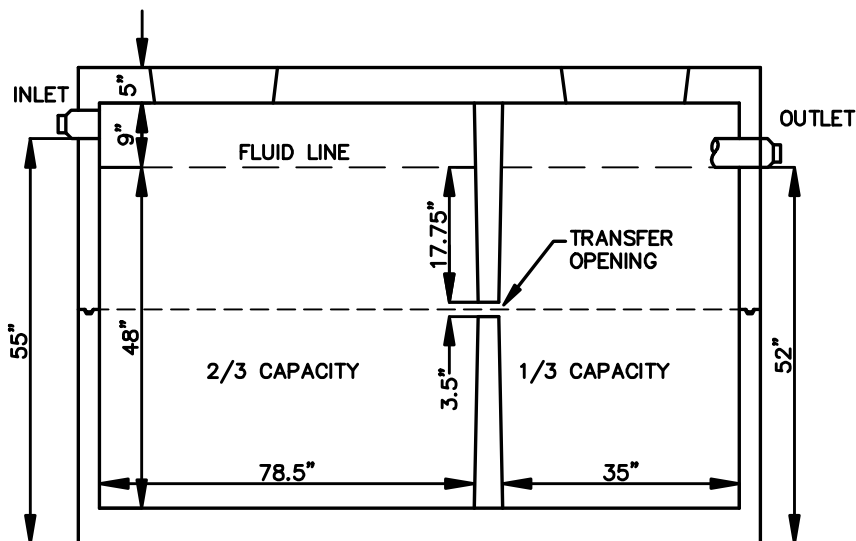


1500 GALLON, TWO COMPARTMENT SEPTIC TANK FOR EFFLUENT FILTER

NOT TO SCALE

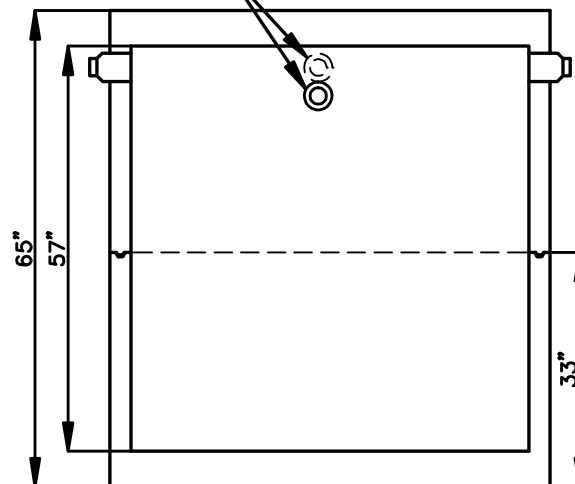


JOINT DETAIL
NOT TO SCALE



$$(116 \times 61) / 144 \times 7.48 \times 0.083 = 30.50 \text{ GAL/INCH}$$

4" RUBBER BOOT
1 REQD. - OUTLET
3 REQD. - INLET



MILAN VAULT, INC

10475 N. ANN ARBOR ROAD
MILAN, MICHIGAN, 48160
(734) 439-1538
(734) 439-8311 (FAX)
WWW.MILANVAULT.COM