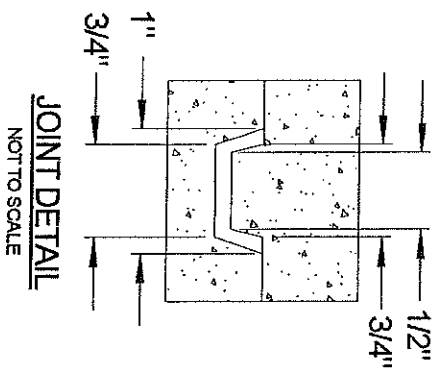
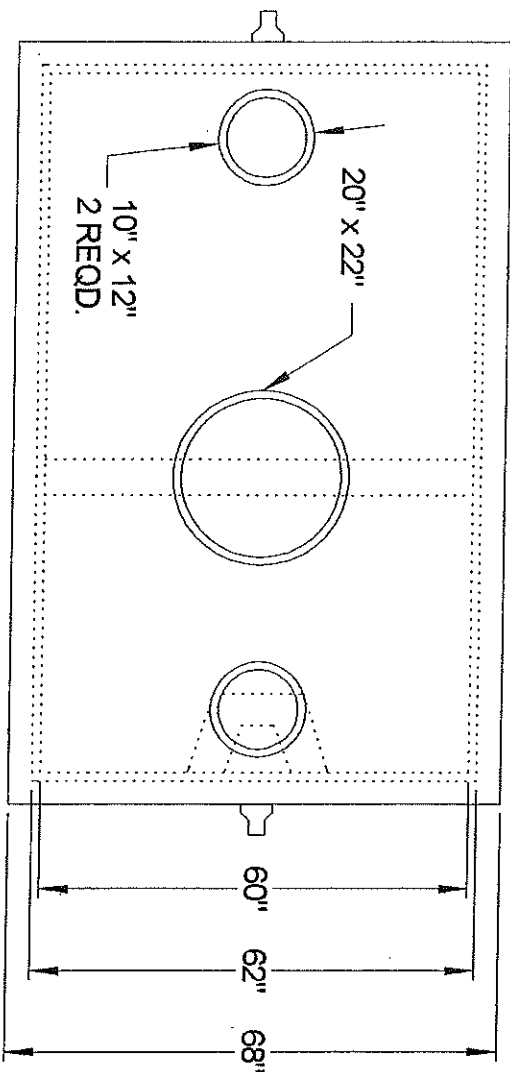
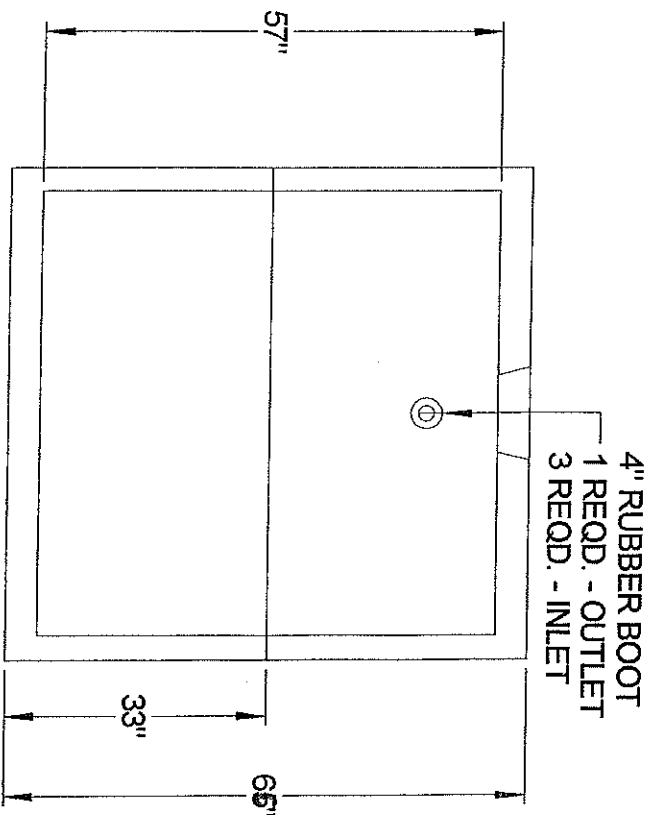
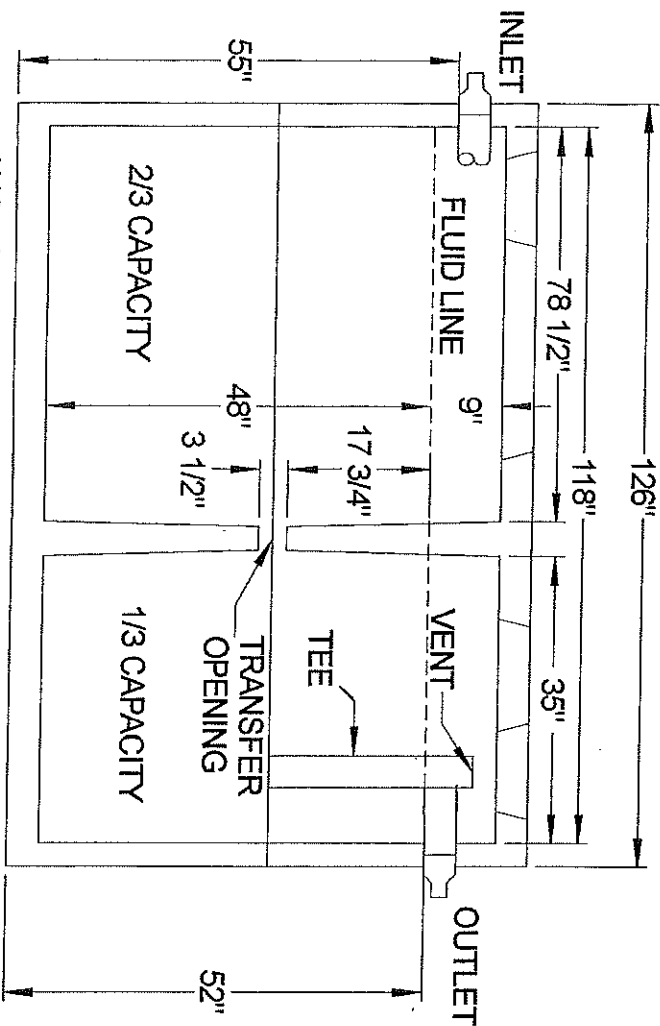


1500 GALLON TWO COMPARTMENT SEPTIC TANK

NOT TO SCALE



JOINT DETAIL
NOT TO SCALE



4" RUBBER BOOT
1 REOD. - OUTLET
3 REOD. - INLET

(116 x 61) + 144 x 7.48 x .083 = 30.50 GAL/INCH

MILAN VALVE, INC.

10475 N. ANN ARBOR ROAD
MILAN, MICHIGAN 48160

(734) 439-1538
(734) 439-8311 (FAX)

HTTP://WWW.MILANVALVE.COM