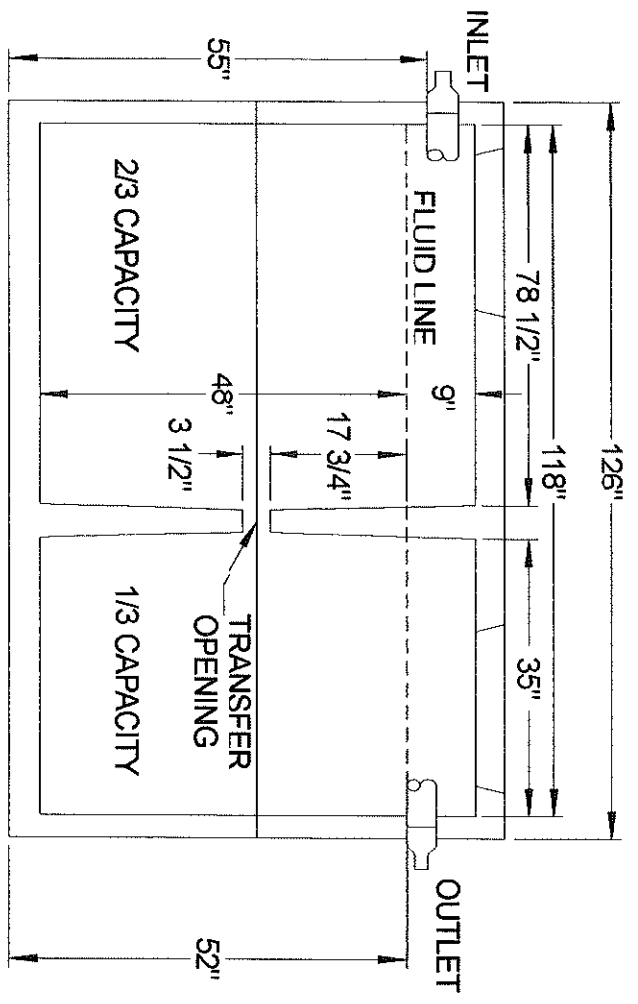
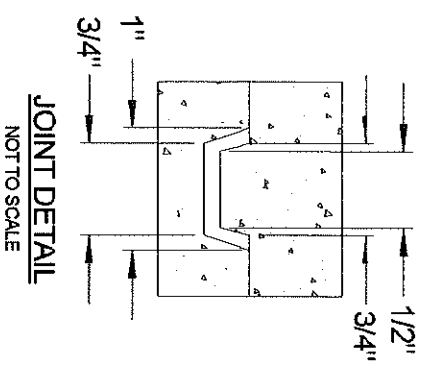
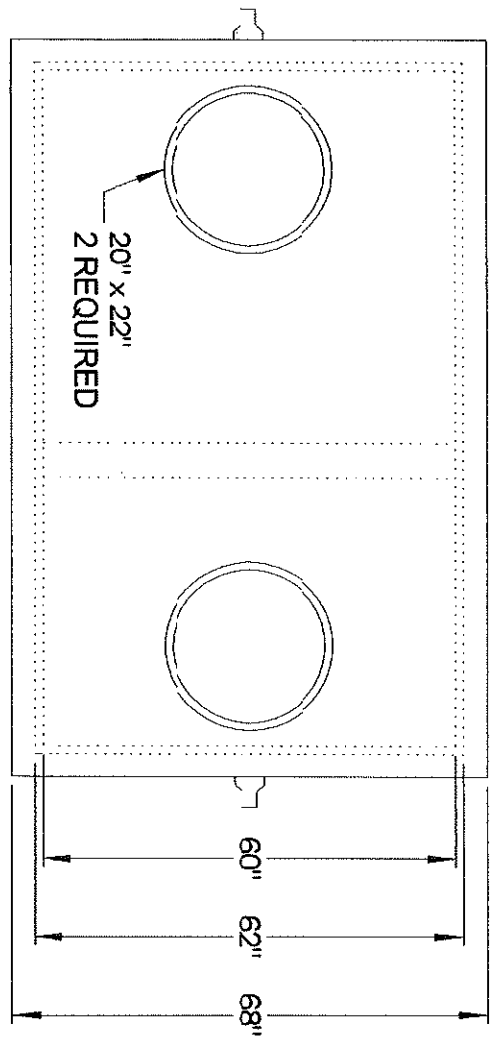
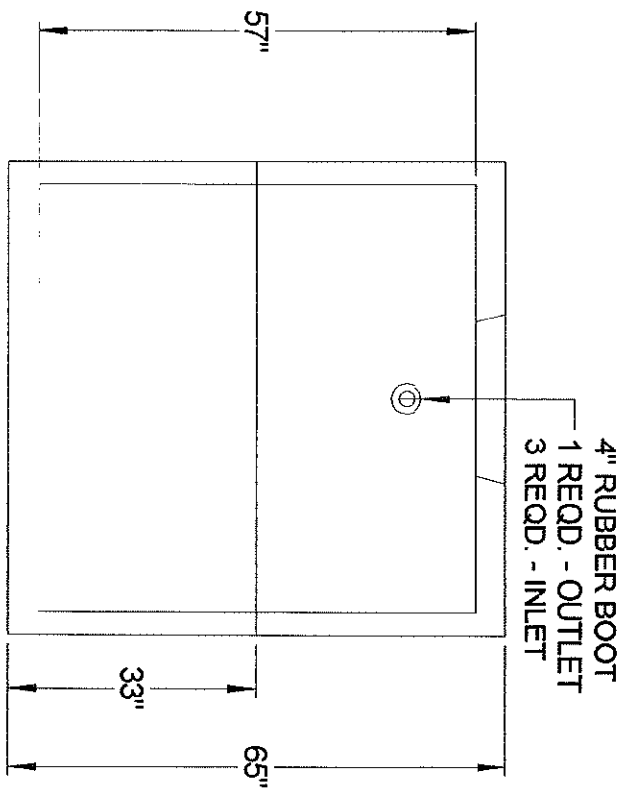


1500 GALLON TWO COMPARTMENT SEPTIC TANK FOR EFFLUENT FILTER

NOT TO SCALE



(116 x 61) + 144 x 7.48 x .083 = 30.50 GAL/INCH



MILAN VAULT, INC.

10475 N. ANN ARBOR ROAD
 MILAN, MICHIGAN 48160
 (734) 439-1538
 (734) 439-8311 (FAX)
 HTTP://WWW.MILANVAULT.COM