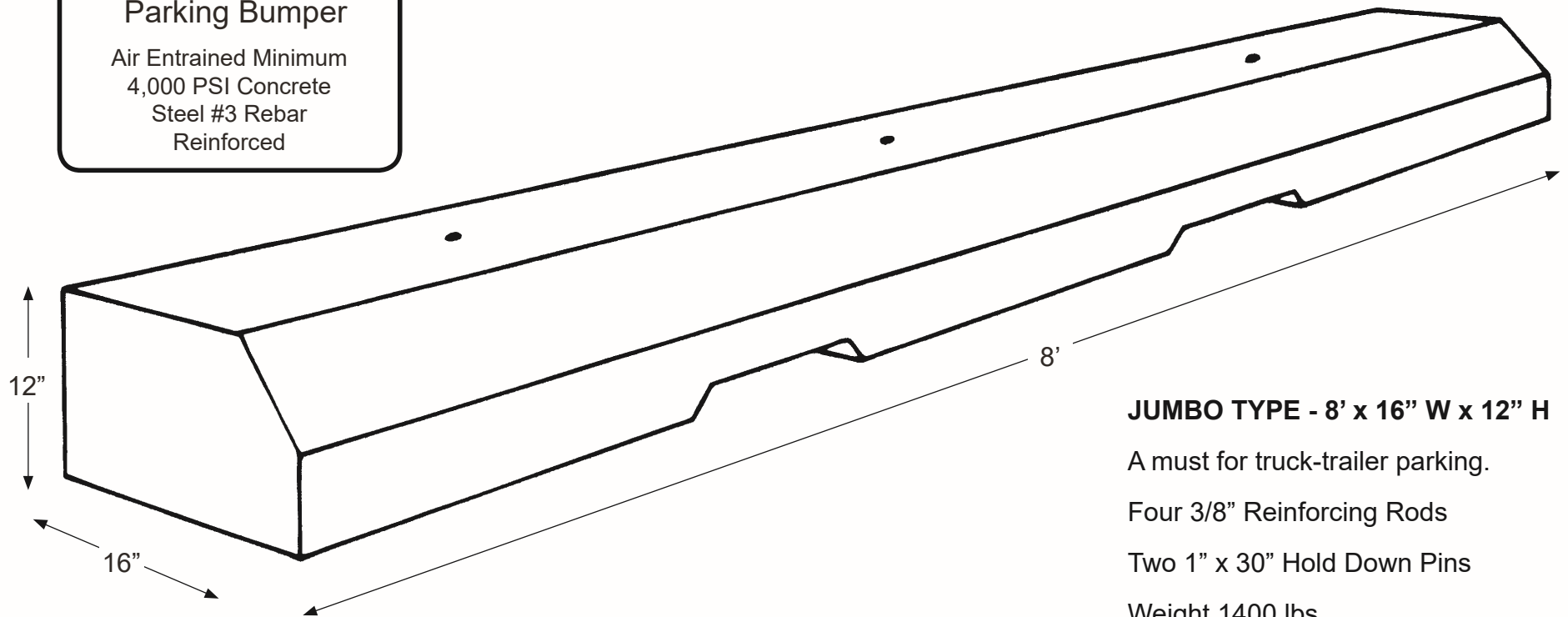


Milan Vault

8' JUMBO Drain

Parking Bumper

Air Entrained Minimum
4,000 PSI Concrete
Steel #3 Rebar
Reinforced



JUMBO TYPE - 8' x 16" W x 12" H

A must for truck-trailer parking.

Four 3/8" Reinforcing Rods

Two 1" x 30" Hold Down Pins

Weight 1400 lbs.

MILAN VAULT

10475 N Ann Arbor Rd Milan, MI 48160

Phone: 734-439-1538 Fax: 734-439-8311

<https://www.milanvault.com/>