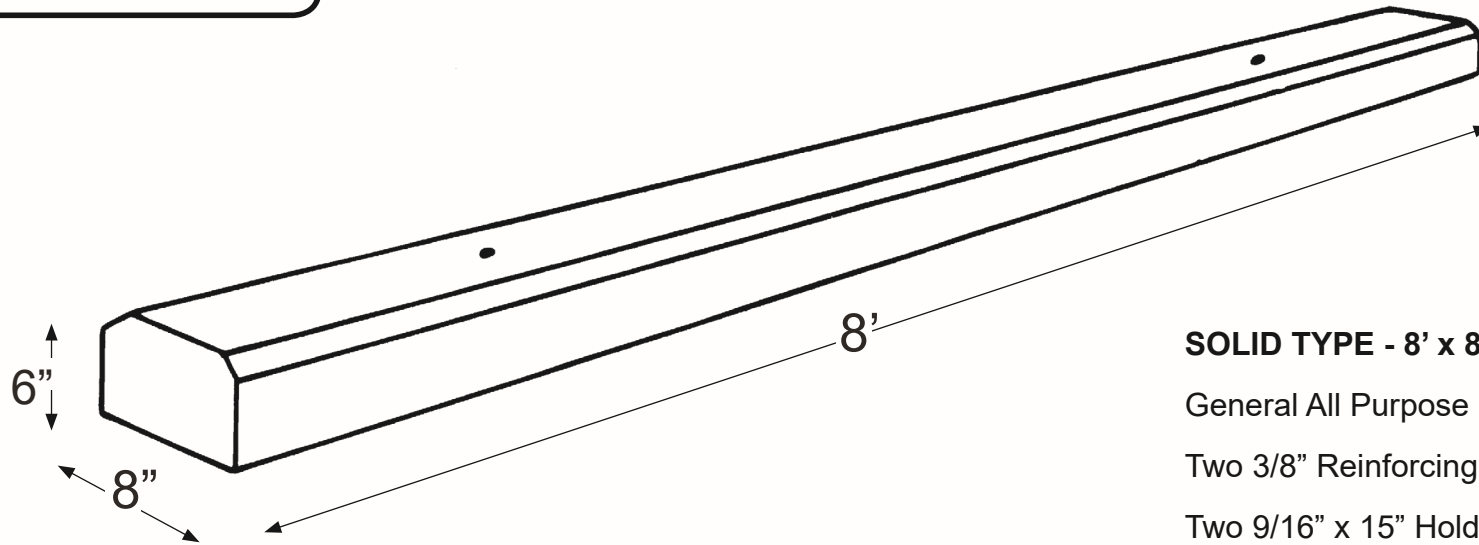


## Milan Vault

*8' Solid*

*Bumper Block*

Air Entrained Minimum  
4,000 PSI Concrete  
Steel #3 Rebar  
Reinforced



**SOLID TYPE - 8' x 8" W x 6"H**

General All Purpose Bumper

Two 3/8" Reinforcing Rods

Two 9/16" x 15" Hold Down Pins

Weight 310 lbs.

# MILAN VAULT

10475 N Ann Arbor Rd Milan, MI 48160

Phone: 734-439-1538 Fax: 734-439-8311

<https://www.milanvault.com/>